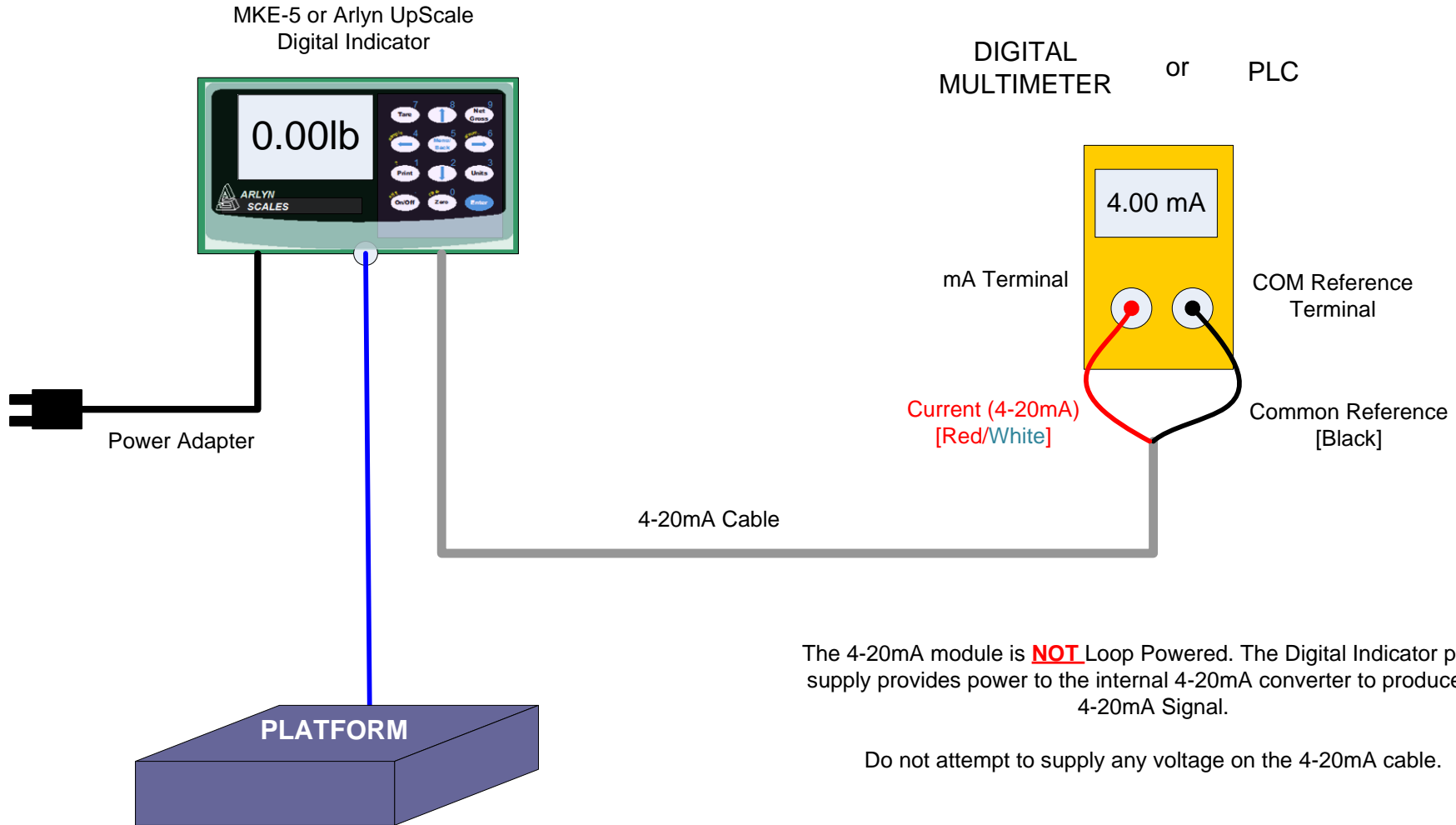


Arlyn Scales

Scale Indicator 4-20mA Output Wiring

This diagram shows how to wire the 4-20mA into an Ammeter or PLC



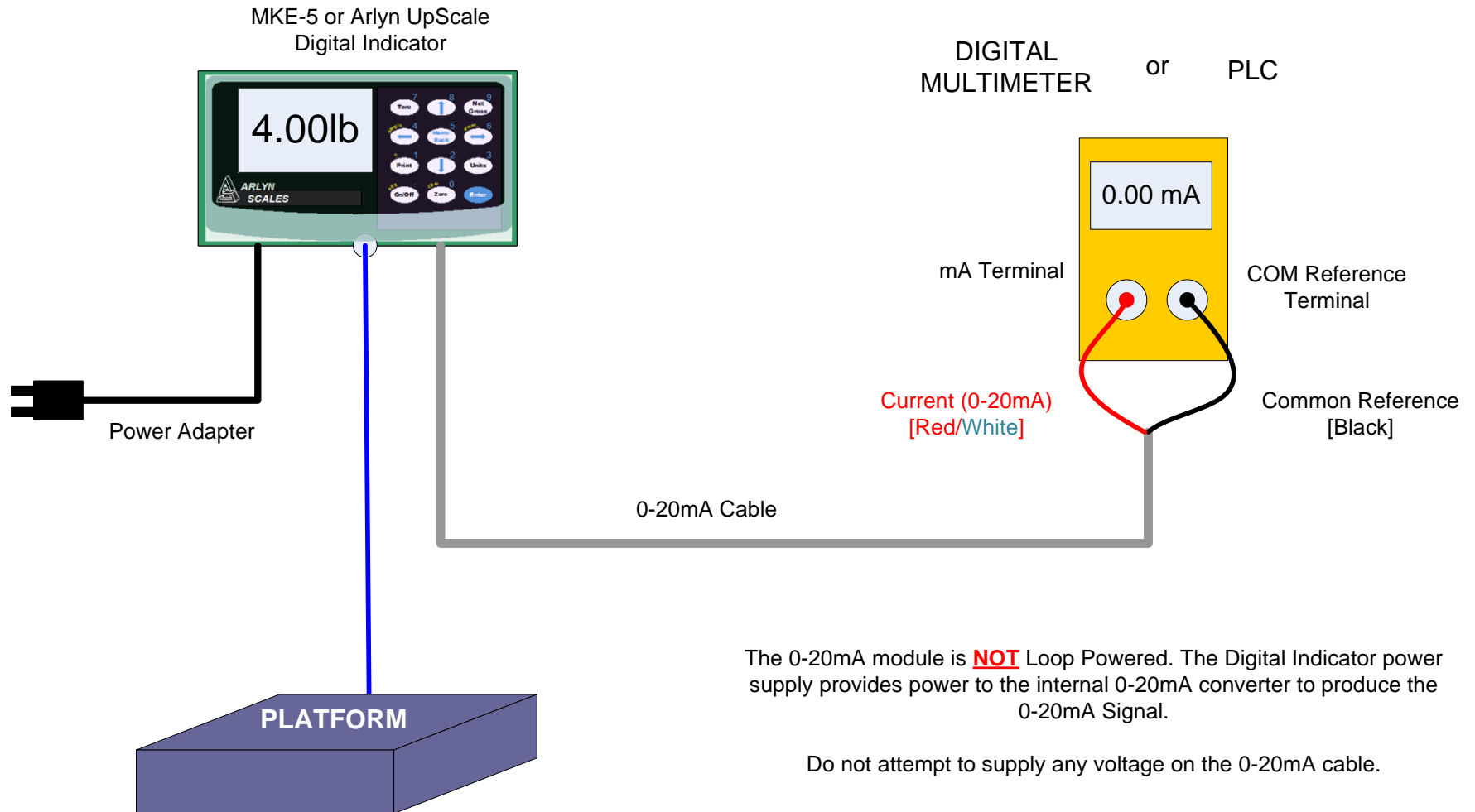
The 4-20mA module is **NOT** Loop Powered. The Digital Indicator power supply provides power to the internal 4-20mA converter to produce the 4-20mA Signal.

Do not attempt to supply any voltage on the 4-20mA cable.

Arlyn Scales

Scale Indicator 0-20mA Output Wiring

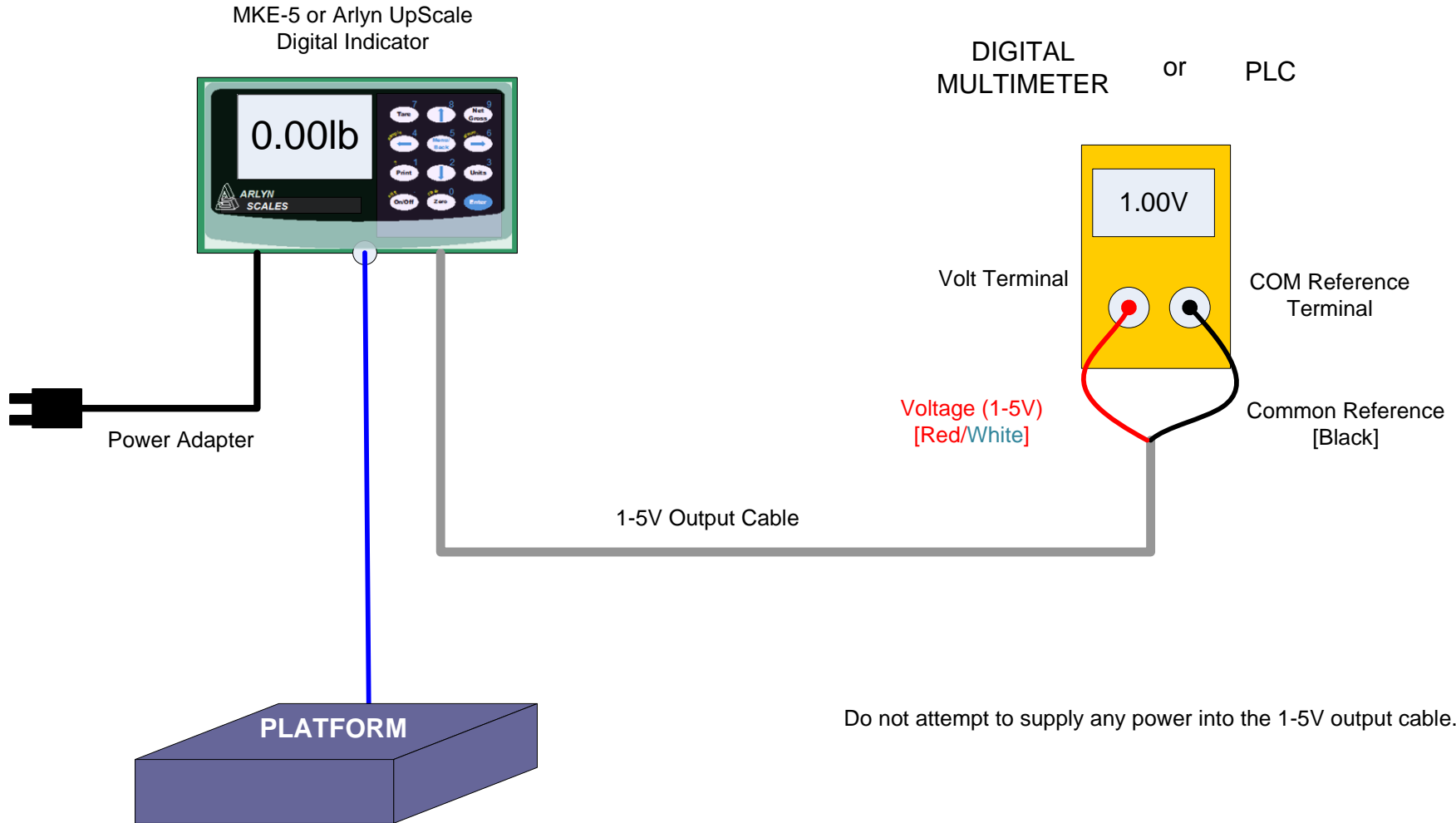
This diagram shows how to wire the 0-20mA into an Ammeter or PLC



Arlyn Scales

Scale Indicator 1-5V Output Wiring

This diagram shows how to wire the 1-5V into a Voltmeter or PLC



Do not attempt to supply any power into the 1-5V output cable.

Arlyn Scales

Scale Indicator 0-5V Output Wiring

This diagram shows how to wire the 0-5V into a Voltmeter or PLC

