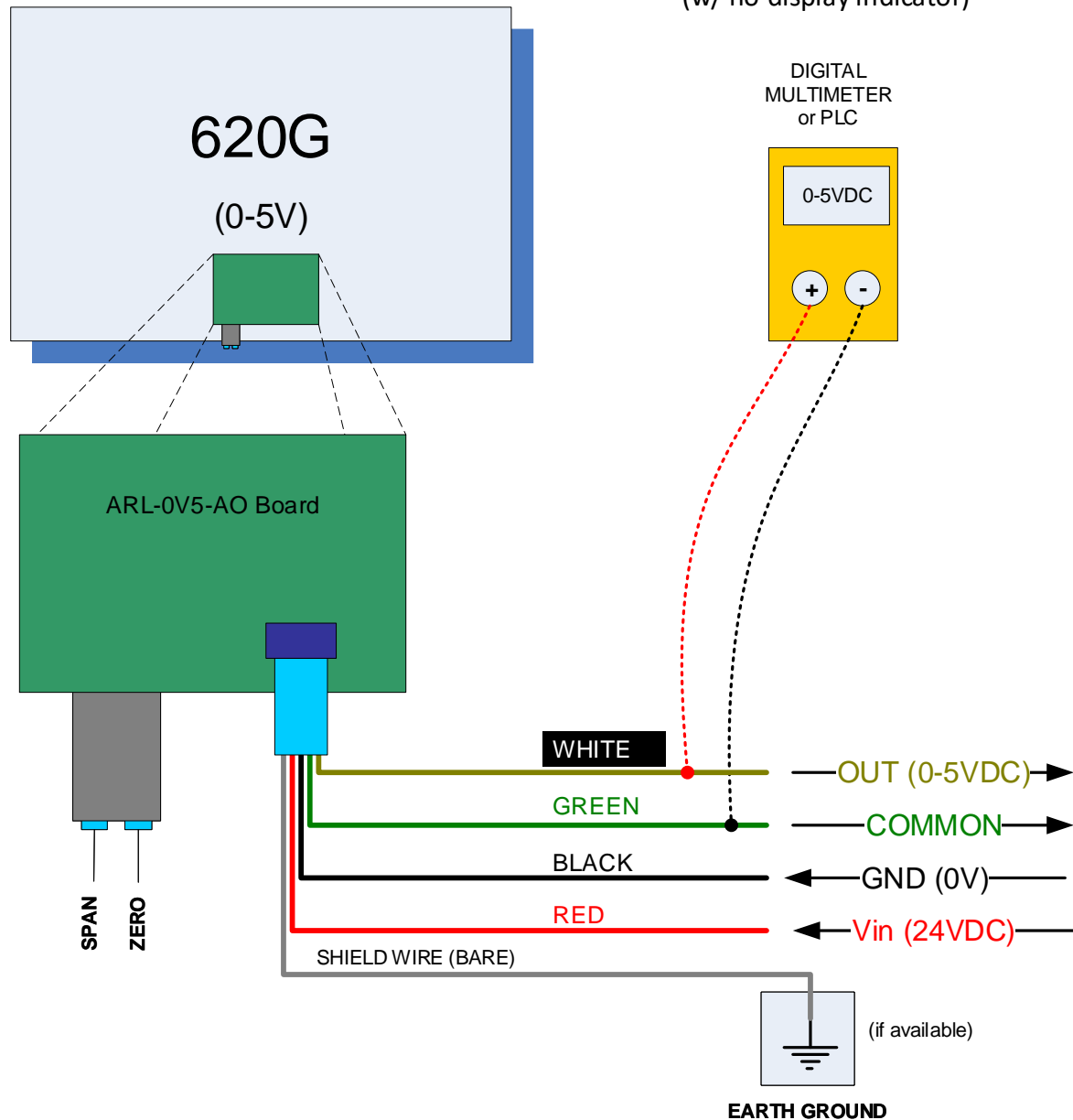


620G 0-5VDC Output Wiring Diagram

(w/ no display indicator)



To check the output:

- 1) Connect the RED wire to a 24V DC outlet.
 - 2) Connect the BLACK wire to GROUND.
 - 3) You will now have 0-5VDC output coming from the WHITE wire with reference to COMMON (GREEN wire)
 - 4) Use a Voltmeter or a digital multimeter to check the voltage on the WHITE wire. Connect the multimeter as shown.
 - 5) Press the platform to see the deflection in current.
 - 6) Use the SPAN and ZERO potentiometers located on the side of the board to calibrate your platform current output.
 - 7) Connect the GROUNDING WIRE (bare) to a suitable Earth Ground location in your building.
- Refer to enclosed calibration document on how to use the span and zero trimmers to calibrate your scale (if needed)