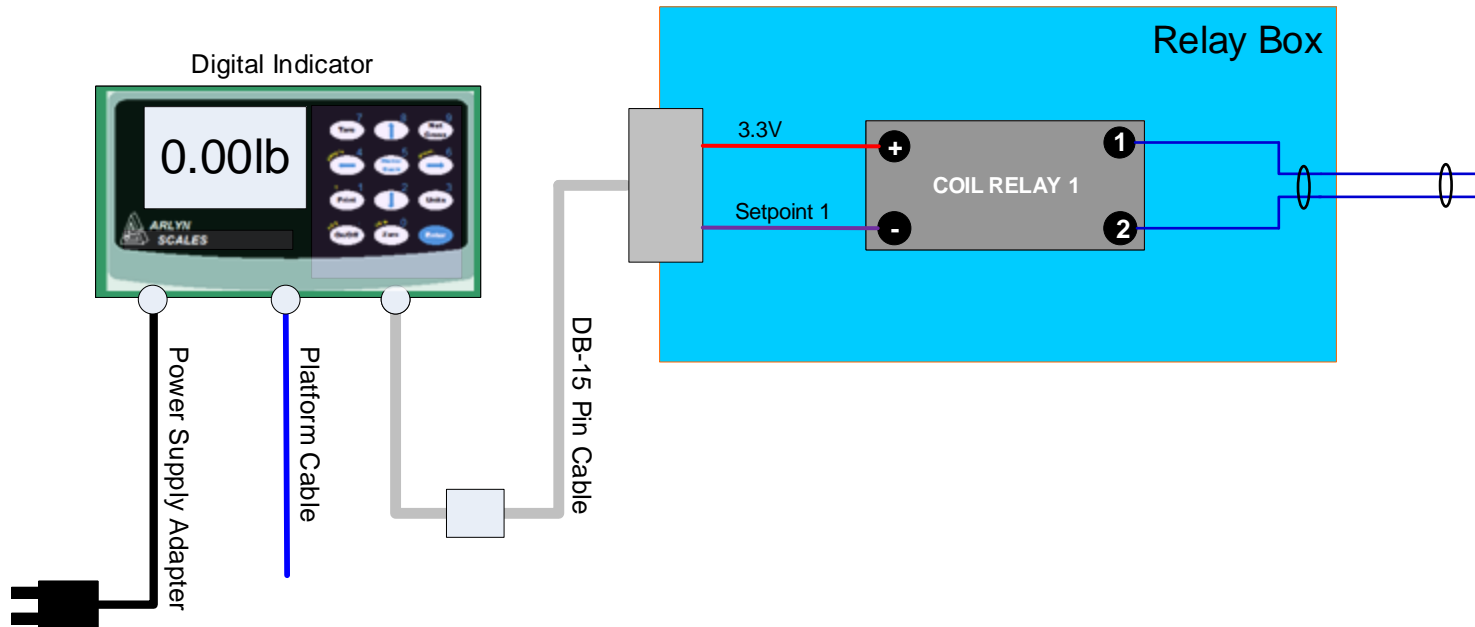




This diagram shows how to wire the “Dry Contact” Coil Relay to your system. Your system may come with one or more relays. In this example, a one relay box is used as an illustration.



When Setpoint is activated from the scale, the Coil relay will actuate causing these two terminals (1 and 2) to short.

Connect these two terminals to your appliance.

| | | | | |
|--|------------|---------|----------|--------|
| PROPRIETARY | | | | |
| ARLYN SCALES, 59 2 nd STREET, EAST ROCKAWAY, NY 11518 | | | | |
| TITLE | | | | |
| “Dry Contact” Relay Wiring | | | | |
| DATE | REVISED | VERSION | DRAWN BY | PAGE |
| 10/26/2020 | 10/26/2020 | 1.0 | KARIM | 1 OF 1 |