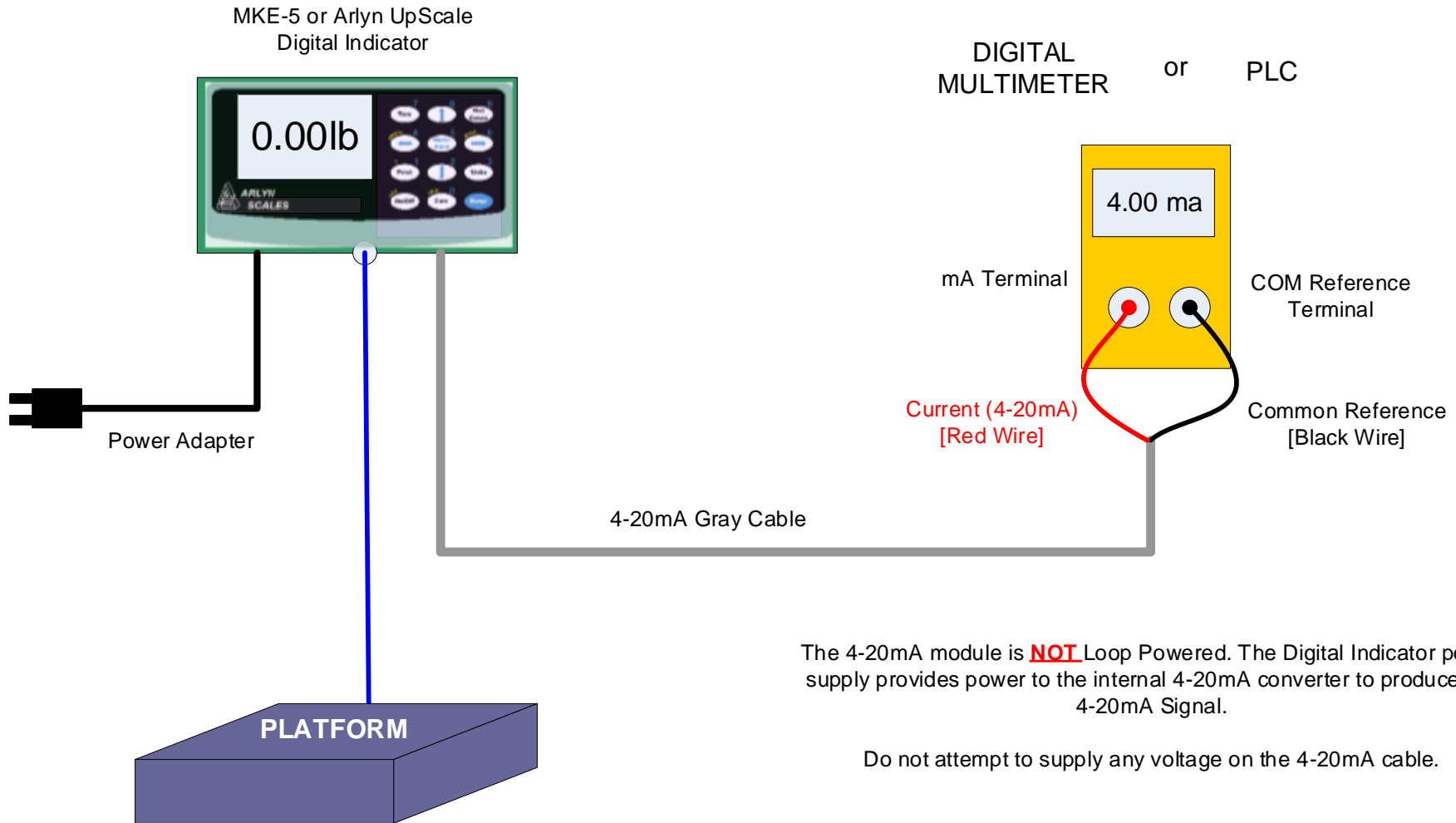


Arlyn Scales

Scale Indicator 4-20mA Output Wiring

This diagram shows how to wire the 4-20mA into an Ammeter or PLC



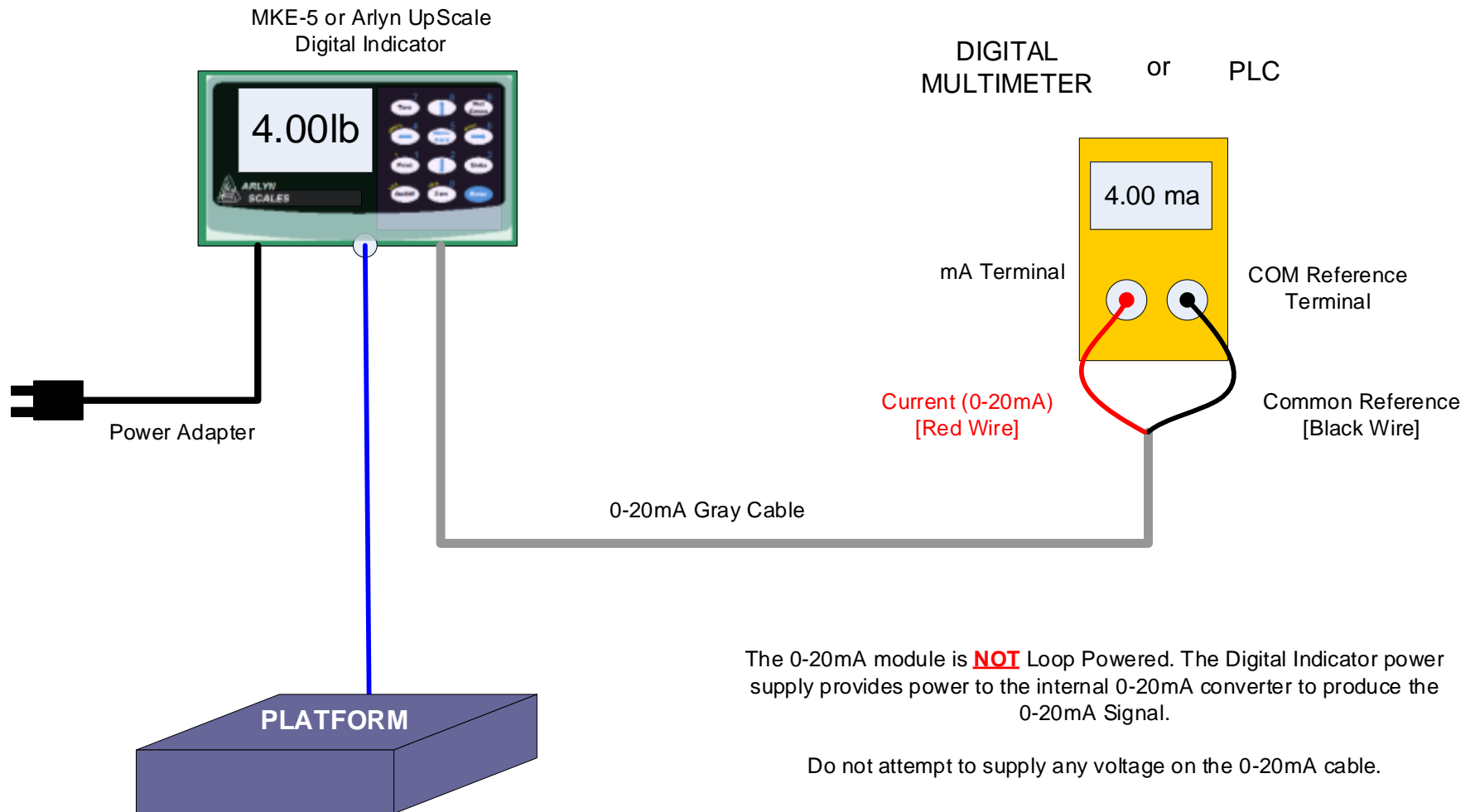
The 4-20mA module is **NOT** Loop Powered. The Digital Indicator power supply provides power to the internal 4-20mA converter to produce the 4-20mA Signal.

Do not attempt to supply any voltage on the 4-20mA cable.

Arlyn Scales

Scale Indicator 0-20mA Output Wiring

This diagram shows how to wire the 0-20mA into an Ammeter or PLC



The 0-20mA module is **NOT** Loop Powered. The Digital Indicator power supply provides power to the internal 0-20mA converter to produce the 0-20mA Signal.

Do not attempt to supply any voltage on the 0-20mA cable.