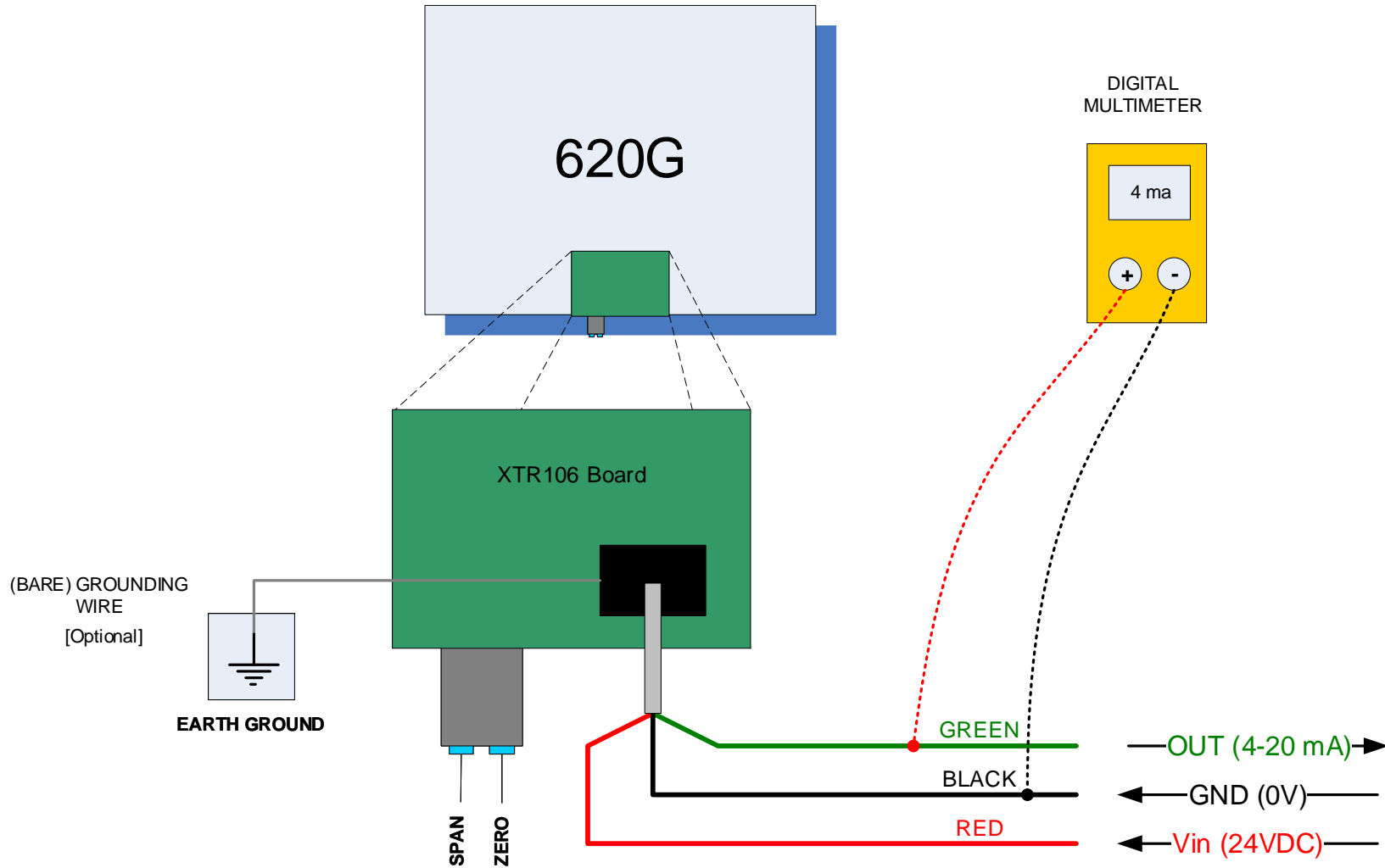


620G 4-20mA (3-Wire) Wiring Diagram

(w/ no display indicator)



To check the output:

- 1) Connect the RED wire to a 24V DC outlet.
- 2) Connect the GROUNDING WIRE (bare) to a suitable Earth Ground location in your building. This is optional. This will help determine faults in the scale if any and increase stability of your readings.
- 3) Connect the BLACK wire to a GROUND connection.
- 4) You will now have 4-20 mA output coming from the GREEN wire.
- 5) Use an Ammeter or a digital multimeter to check the current on the GREEN wire. Connect the multimeter as shown.
- 6) Press the platform to see the deflection in current.
- 7) Use the SPAN and ZERO potentiometers located on the side of the board to calibrate your platform current output.